

## OPERATING MANUAL



## **TABLE OF CONTENT**

|  |       |
|--|-------|
| The Valve parameters and dimensions.....       | 2     |
| Main Functions and Key Features .....          | 3     |
| Outline Size Dimension.....                    | 4~5   |
| Technical Parameters of Electric Actuator..... | 6~7   |
| Wiring Diagram.....                            | 8~9   |
| Operation.....                                 | 10    |
| Installation.....                              | 11~12 |
| Commissioning.....                             | 13    |
| Commissioning of Regulation Type Actuator..... | 14~15 |
| Troubleshooting .....                          | 16    |
| Operation Flow Chart .....                     | 17    |

---

---

**Introduction**

The 3 piece design allows for the center part of the valve containing the ball, stem & seats to be easily removed from the pipeline. This facilitates efficient cleaning of deposited sediments, replacement of seats and gland packings, polishing out of small scratches on the ball, all this without removing the pipes from the valve body. The design concept of a three piece valve is for it to be repairable.

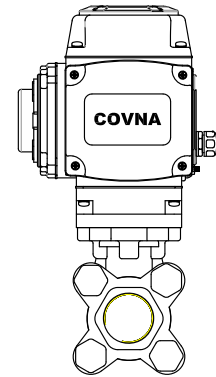
**Electric Actuator**

|                  |   |
|------------------|---|
| ON/OFF Type      | Feedback: the Active Contact Signal, Passive Contact Signal, Resistance, 4-20mA |
| Regulation Type  | Input & Output Signal: DC 4-20mA, DC 0-10V, DC 1-5V                             |
| Field Operation  | The Field, Remote Control Switch Regulation and MODBUS, PROFIBUS Field Bus      |
| Voltage Optional | AC110–240V 380V 50/60Hz; DC12V, DC24V, Special Voltage Can be Customized        |
| Protection Class | Ip65; Explosion Proof Construction Are Aailable: EX d II BT4                    |



**Technical Parameters**

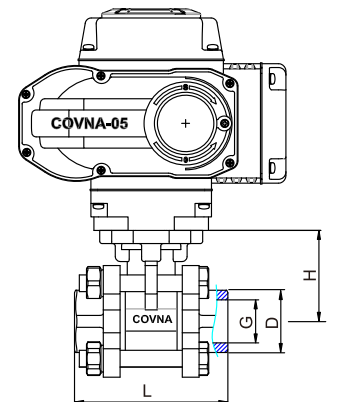
| Body            |                               | Valve components  |  |
|-----------------|-------------------------------|-------------------|--|
| Nominal size    | DN08-DN100                    | Seat material     | PTFE: -20℃~180℃<br>PPL: -20℃~250℃  |
| Body material   | SS304 SS316 SS316 L           | Core material     | SS304 SS316  |
| Connection type | Female Thread                 | Stem material     | SS304  |
| Pressure Rating | PN1.0, 2.5, 4.0, 6.4, 31.5MPa | Applicable medium | Water, Liquids, Gas, Oil,<br>Powder, Steam, Acid-base<br>Corrosive Medium. |
| Structure type  | Floating ball core            |                   |  |



**Qutine Size drawing**

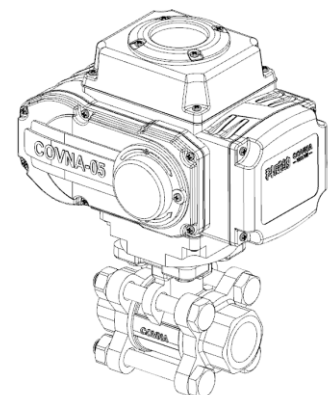
UNIT: mm

| MEDLE       | DN08     | DN10 | DN15 | DN20 | DN25 | DN32 | DN40   | DN50     | DN65     | DN80     | DN100 |
|-------------|----------|------|------|------|------|------|--------|----------|----------|----------|-------|
| Actuator    | COVNA-05 |      |      |      |      |      |        | COVNA-10 | COVNA-16 | COVNA-30 |       |
|             | G        | 1/4" | 3/8" | 1/2" | 3/4" | 1"   | 1-1/4" | 1-1/2"   | 2"       | 2-1/2"   | 3"    |
| D           | 11.2     | 12.5 | 15   | 20   | 25   | 32   | 40     | 50       | 65       | 80       | 100   |
| L           | 60       | 60   | 72   | 82   | 90   | 112  | 120    | 145      | 185      | 210      | 268   |
| H           | 42       | 42   | 42   | 48.5 | 58.5 | 63   | 71     | 78       | 100      | 109      | 140   |
| Weight (Kg) | 3.8      | 3.8  | 3.8  | 3.8  | 4.1  | 4.5  | 5.0    | 5.7      | 10.1     | 14.6     | 19.8  |



**Installation Instruction**

1. Verify that the valve breakaway torque is less than the rated output torque of the actuator.
2. Any mechanical stops that would interfere with the operation of the actuator must be removed before installation of the actuator, i.e. lever, travel stops, etc.
3. The actuator output coupling must be centered with the valve stem to prevent side loading, which causes premature stem packing wear.
4. To use the manual override feature (identified on cover label), the override shaft must be pressed down firmly at least 1/4" in order to disengage the motor from the gears. The manual override is not designed to overcome torque in excess of the rated torque of the actuator. Serious damage to the gear system may result from excessive turning force on the manual override.
5. This Series actuator may be mounted in any position, i.e. horizontal, upside down. If the conduit entrance points upward, conduit piping must be oriented as to prevent condensation from entering the actuator from the conduit pipe.



## Main Functions and Key Features

1. Body: body material is hard aluminum alloy, which is treated by hard anodic oxidation and coated by Polyester powder, so that it has great corrosion resistance and protection class is IP65.
2. Motor: fully enclosed cage type motor is small in size and inertia, large in torque. Insulation class is F grade which can prevent motor over-heating;
3. Manual Override: small handle is reliable, energy-saving. It can be used for manual operation when electricity is off; In automatic operation, it can be fixed inside the clip for easy operation;
4. Indicator: indicator is assembled on center axis, valve position can be observed; Outside mirror design facilitates position observation and prevents water drops accumulation;
5. Enclosure: high sealing performance, standard protection class is IP65;
6. Limit Switches: mechanical and electronic position limit switches. Mechanical stop screw can be adjustable; Electronic limit switches can be controlled by cam. Position can be set easily and accurately by simply adjusting the cam without any influence by handle;
7. Self Lock: accurate turbo-worm structure can output large torque with high efficiency and little noise (Max. 50 decibel). Service life is quite long. Its self lock function can stop reverse rotation. Drive part is stable and reliable without additional lubrication;
8. Captive Bolt: bolts won't fall off when cover is disassembled;
9. Application: bottom connection complies with ISO5211/DIN3337 Standard. Star square hole is easy for square valve stem linear or 45° rotation application; Both vertical and horizontal assemble are available;
10. Diagram: control diagram complies with single phase or three phase wiring standard, reasonable wiring diagram and connection terminal can meet requirement of other optional functions.



Manual Override



ON/OFF Type

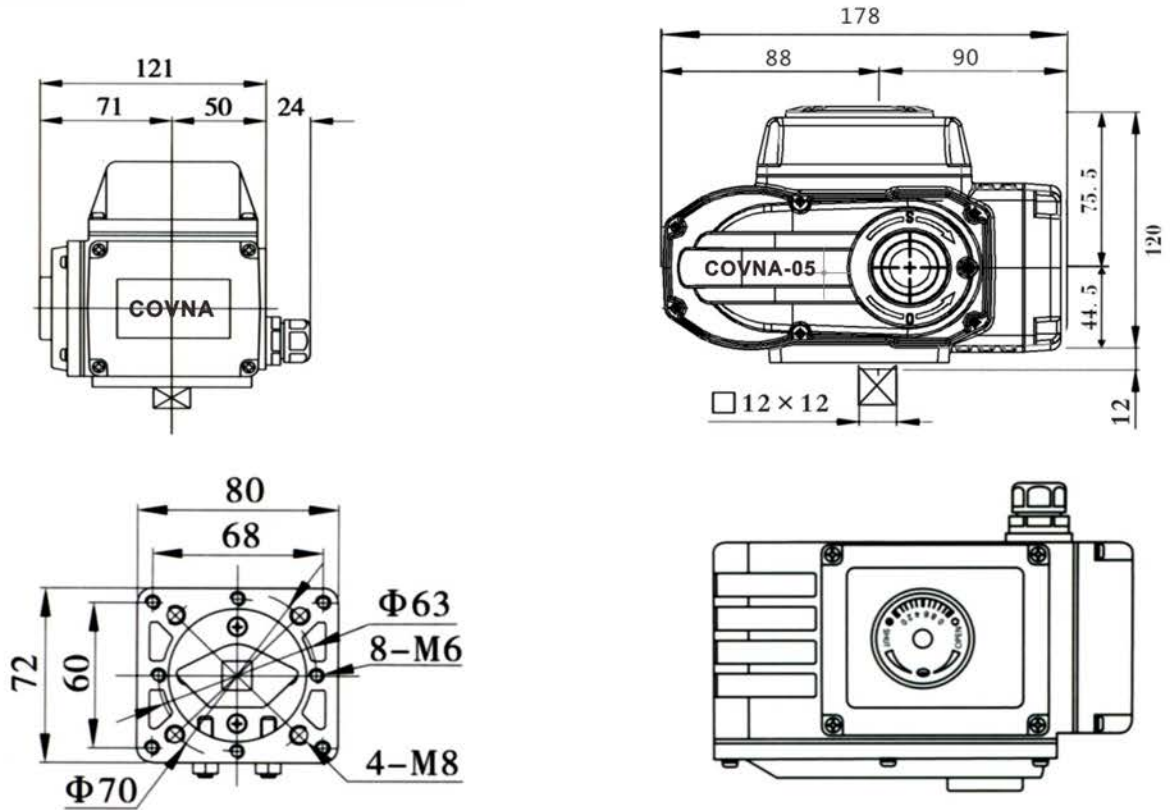


Regulation Type

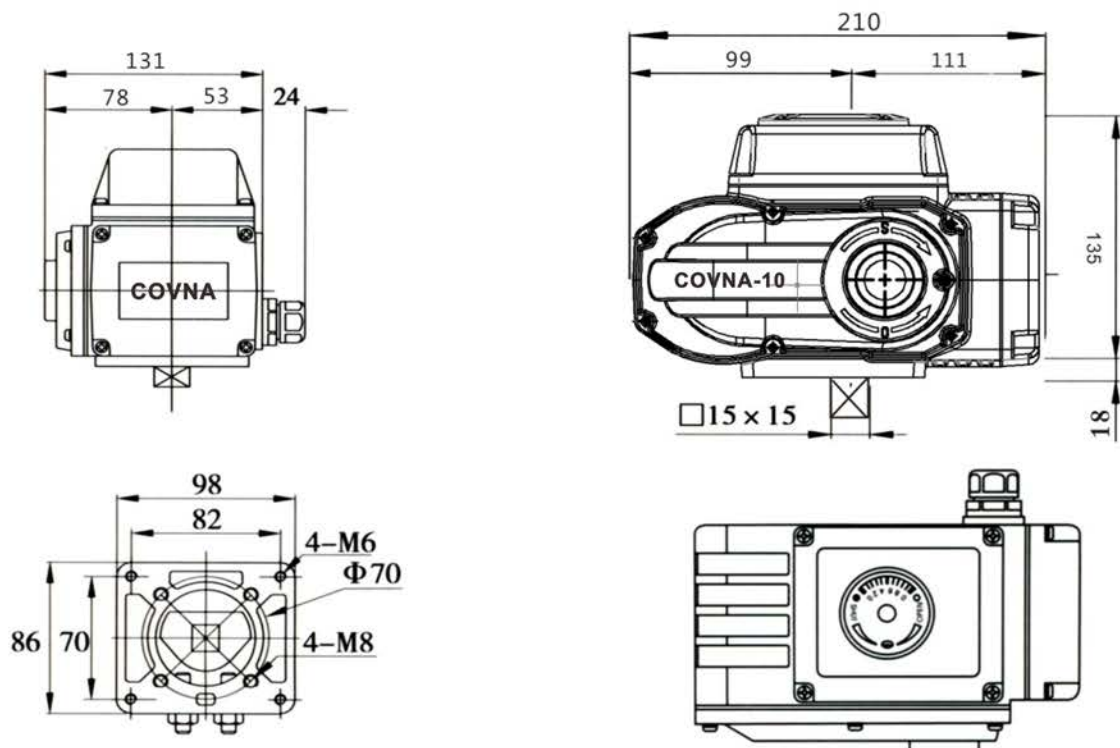


Intelligent Type

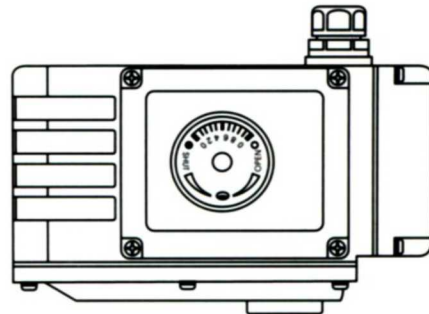
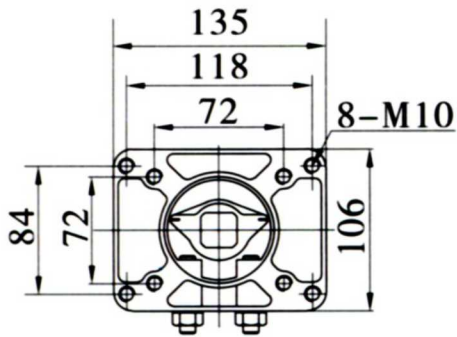
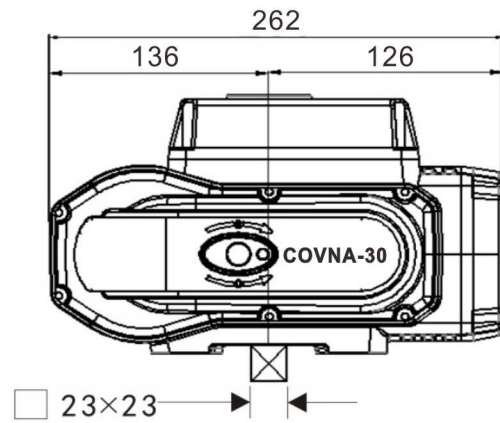
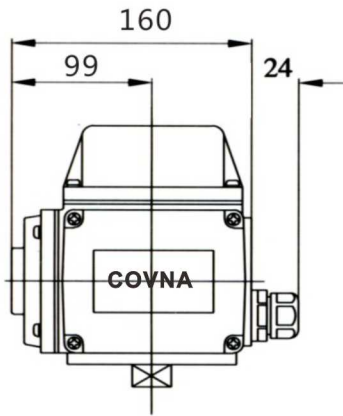
**COVNA-05**



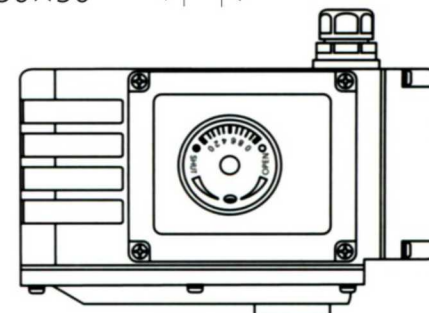
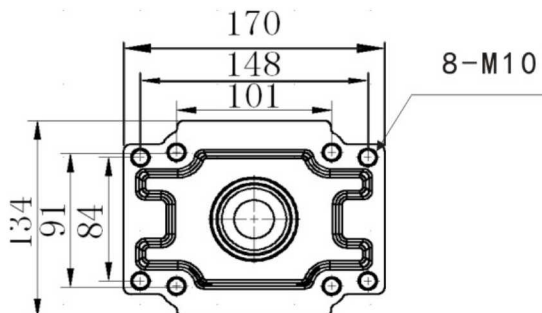
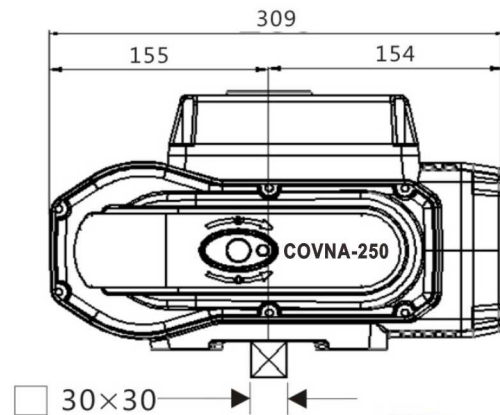
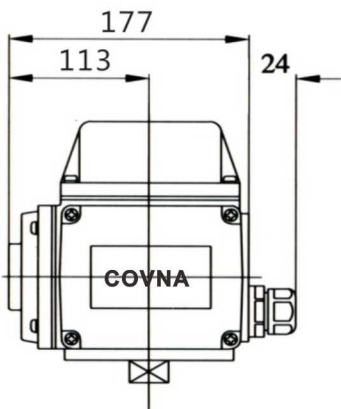
**COVNA-10/16**



**COVNA-30/60**



**COVNA-125/250/400**



**Performance Characteristics Of Electric Actuator**

| Model                 |  | 05  | 10          | 16    | 30    | 60      | 125    | 250    | 400    |  |
|-----------------------|--|---|-------------|-------|-------|---------|--------|--------|--------|--|
| Performance           |  |   |             |       |       |         |        |        |        |  |
| Angle of Rotation     |  | 0~90°   | 0~90°       | 0~90° | 0~90° | 0~90°   | 0~90°  | 0~90°  | 0~90°  |  |
| AC220V<br>AC Voltage  | Torque Output  | 50Nm  | 100Nm       | 160Nm | 300Nm | 600Nm   | 1250Nm | 2500Nm | 4000Nm |  |
|                       | 90° Cycle Time   | 10S/<br>20S/60S   | 15S/30S/60S |       |       | 30S/60S | 90S    | 90S    | 90S    |  |
|                       | Working Current  | 0.23A   | 0.35A       | 0.40A | 0.45A | 0.60A   | 1.03A  | 1.85A  | 2.7A   |  |
|                       | Drive Motor  | 50W   | 75W         | 80W   | 100W  | 130W    | 210W   | 285W   | 360W   |  |
|                       | Voltage Options  | AC220V, AC110V, AC24V   |             |       |       |         |        |        |        |  |
|                       | Control Circuit  | B: ON/OFF Type with Passive Contact Signal Feedback                 |             |       |       |         |        |        |        |  |
| DC<br>DC Voltage      | Torque Output  | 60Nm  | 110Nm       | 170Nm | 330Nm | 680Nm   | 1300Nm | 2500Nm |        |  |
|                       | 90° Cycle Time   | 8S  | 11S         | 11S   | 9S    | 35S     | 32S    | 32S    |        |  |
|                       | Starting Current   | 0.74A   | 1.40A       | 1.40A | 3.80A | 7.0A    | 3.8A   | 4.3A   |        |  |
|                       | Working Current  | 0.38A   | 0.38A       | 0.40A | 1.03A | 0.70A   | 1.2A   | 1.4A   |        |  |
|                       | Drive Motor  | 9.5W  | 9.0W        | 9.6W  | 30W   | 33W     | 30W    | 33W    |        |  |
|                       | Voltage Options  | DC12V, DC24V, DC110V, DC220V  |             |       |       |         |        |        |        |  |
| Control Circuit       | F: DC24V/ DC12V Direct ON/OFF Type   |   |             |       |       |         |        |        |        |  |
| AC380V                | Torque Output  | 70Nm  | 100Nm       | 200Nm | 300Nm | 600Nm   | 1300Nm | 2500Nm |        |  |
|                       | 90° Cycle Time   | 20S   | 27S         | 27S   | 25S   | 26S     | 50S    | 50S    |        |  |
|                       | Starting Current   | 0.20A   | 0.28A       | 0.30A | 0.55A | 0.45A   | 0.60A  | 0.77A  |        |  |
|                       | Working Current  | 0.16A   | 0.25A       | 0.27A | 0.53A | 0.43A   | 0.65A  | 0.75A  |        |  |
|                       | Drive Motor  | 51W   | 70W         | 77W   | 117W  | 220W    | 90W    | 103W   |        |  |
|                       | Voltage Options  | AC380V  |             |       |       |         |        |        |        |  |
| Control Circuit       | G: AC380V Three-Phase Power Supply with Passive Signal Feedback (Default)<br>H: AC380V Three-Phase Power Supply with Resistance Potentiometer Signal Feedback (Optional) |   |             |       |       |         |        |        |        |  |
| Protection Class      |  | IP65  |             |       |       |         |        |        |        |  |
| Ambient Temp.         |  | -30°C~+60°C   |             |       |       |         |        |        |        |  |
| Installation Angle    |  | Any   |             |       |       |         |        |        |        |  |
| Electrical Connection |  | G1/2 Water-proof Cable Connectors, Electric Power Wire, Signal Wire |             |       |       |         |        |        |        |  |

Note: Can't connect one actuator parallel with other ones, in other words, can't use the same control -ler contact points to control two and above actuators, otherwise it will cost out of control, motor overheating, product damage and shorter service life.

## ON/OFF Type Performance characteristics

COVNA HK Series the on-off actuator has only two actions (0° or 90°) when performing valve operations, which means that the valve can only be fully open or fully closed. Can not control the amplitude of the valve switch, and can not control the medium flow. The on-off valve is generally used to switch off the two positions. There are two positions of full open and full closed. The function is to open or close to conduct and cut off the working medium inside. There is no special requirement for the flow characteristics, but for the switching speed, The leakage requirement is higher than that of the regulating valve.

|                       |  |
|-----------------------|--|
| Voltage Options       | AC110V, AC220V, AC380V, DC24V, AC24V   |
| Insulation Resistance | 100MΩ/500V   |
| Withstand Voltage     | 1500V; 1 min   |
| Control Circuit       | A: ON/OFF Type with Light Indicator Signal Feedback<br>B: ON/OFF Type with Passive Contact Signal Feedback<br>C: ON/OFF Type with Resistance Potentiometer Signal Feedback<br>D: ON/OFF Type with Resistance Potentiometer and Neutral Position Signal Feedback<br>E: Regulation Type with Servo Control Module<br>F: DC24V/ DC12V Direct ON/OFF Type<br>G: AC380V Three-Phase Power Supply with Passive Signal Feedback<br>H: AC380V Three-Phase Power Supply with Resistance Potentiometer Signal Feedback |
| Optional Function     | Over Torque Protectors, Dehumidify Heater, Stainless Steel Coupling & Yoke   |

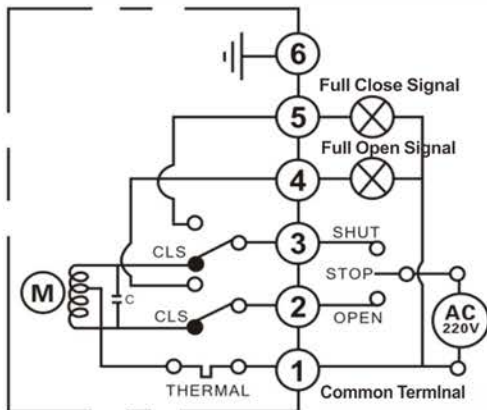
## Regulation type Performance characteristics

COVNA HK Series the regulation type electric actuator has the function of a switch type integrated structure, and relatively increase the intelligent control module, so as to accurately control the valve (any angle between 0°-90°), adjust the medium flow, and control by input or output The signal 4-20mA or 0-10v/1-5v can control the opening of the valve; the performance reflects the control accuracy, the control accuracy is generally within 1% of the error, and the opening and flow can be adjusted very accurately.

|                                |                                      |
|--------------------------------|--------------------------------------|
| Voltage Options                | AC110V, AC220V, AC380V, DC24V, AC24V |
| Input Signal                   | 4-20mADC 1-5VDC 0-10VDC              |
| Output Signal                  | 4-20mADC 1-5VDC 0-10VDC              |
| Tolerance                      | ±0.5%                                |
| Return Difference              | <0.3%                                |
| Dead Zone                      | 0.1% to 1.6%                         |
| Damping Characteristics        | 0                                    |
| Mechanical Repeatability Error | 0%                                   |

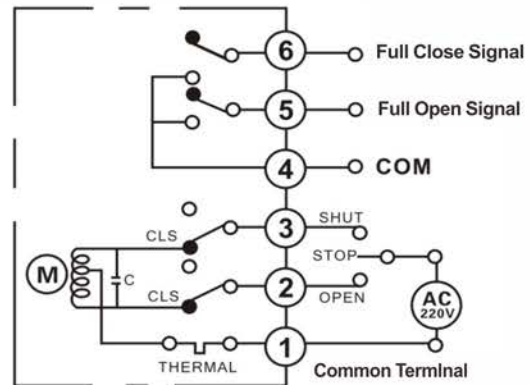
Note: Can't connect one actuator parallel with other ones, in other words, can't use the same control -ler contact points to control two and above actuators, otherwise it will cost out of control, motor overheating, product damage and shorter service life.





**A: ON/OFF Type with Light Indicator Signal Feedback**

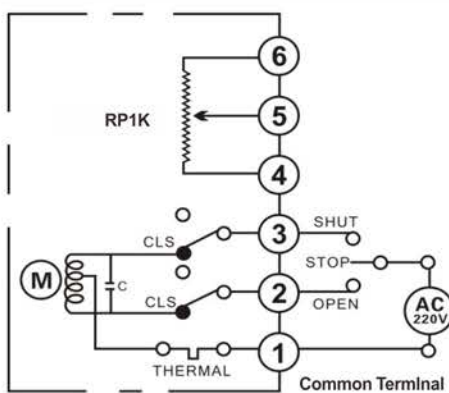
**Function:** Finish open or close operations by the circuit, and the actuator outputs a signal of active position (full opening, full closing)



**B: ON/OFF Type with Passive Contact Signal Feedback**

**Function:** Finish open or close operations by the circuit, and the actuator outputs a set signal of passive position (full opening, full closing)

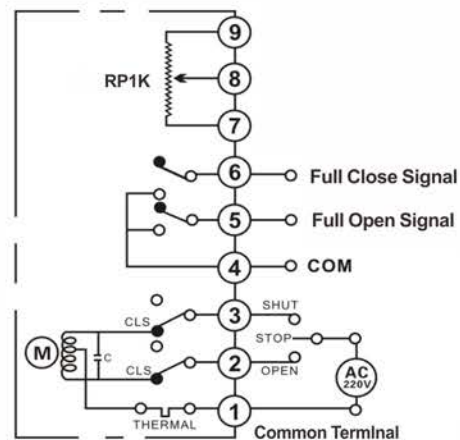
**Structure:** with two neutral positions switches



**C: ON/OFF Type with Resistance Potentiometer Signal Feedback**

**Function:** Control the open angle of valves by circuit, and the actuator outputs the resistance signal corresponding to the position of switch

**Structure:** with 500Ω or 1000Ω potentiometer



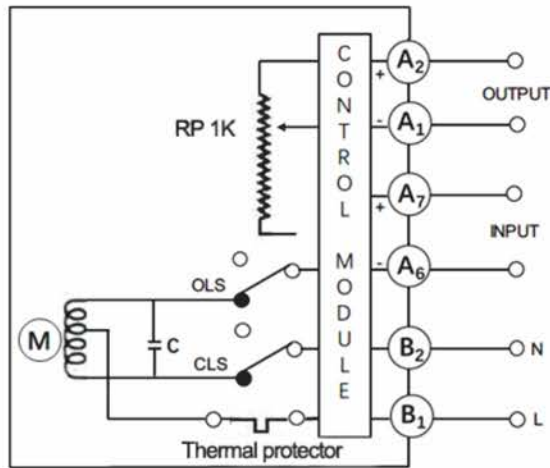
**D: ON/OFF Type with Resistance Potentiometer and Neutral Position Signal Feedback**

**Function:** control the open angle of valves by circuit, and the actuator outputs the resistance signal corresponding to the position of open position, at the same time, outputting a set signal of passive position

**Structure:** both potentiometer style and neutral positions switch style

**Caution:**

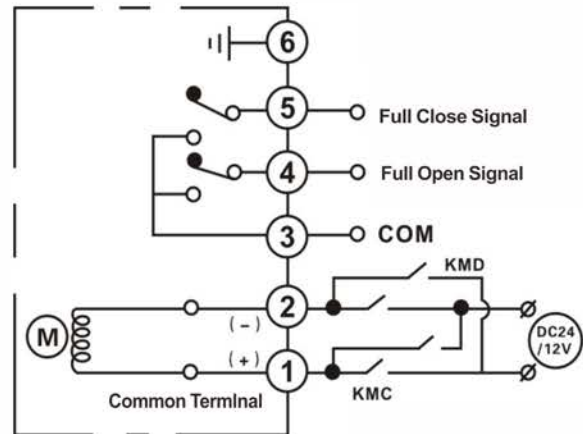
Can't connect one actuator parallel with other ones, in other words, can't use the same controller contact points to control two and above actuators, otherwise it will cost out of control, motor overheating, product damage and shorter service life.



**E: Regulation Type with Servo Control Module**

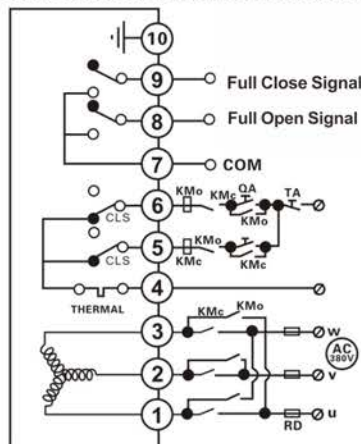
**Function:** Modulating, input & output  
DC4-20mA, 1-5VDC, 0-10VDC

**Structure:** With servo control module and  
1000Ω potentiometer



**F: DC24V/ DC12V Direct ON-OFF Type**

**Function:** The external circuit make positive and negative conversion of DC power to open or close, and the actuator outputs a set signal of passive position (full opening, full closing),

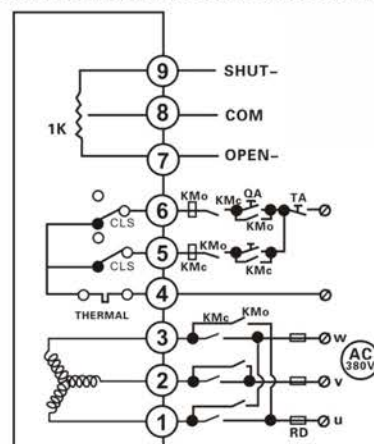


**G: AC380V Three-Phase Power Supply with Passive Signal Feedback**

**Function:** The external circuit make positive and negative conversion of DC power to open or close, and the actuator outputs a set signal of passive position (full opening, full closing)

**Notes:**

Please kindly note if the switch position is correct when the three phase electric actuator is being adjusted, if it's opposite direction, then make 2 of power lines exchange each other



**H: AC380V Three-Phase Power Supply with Resistance Potentiometer Signal Feedback**

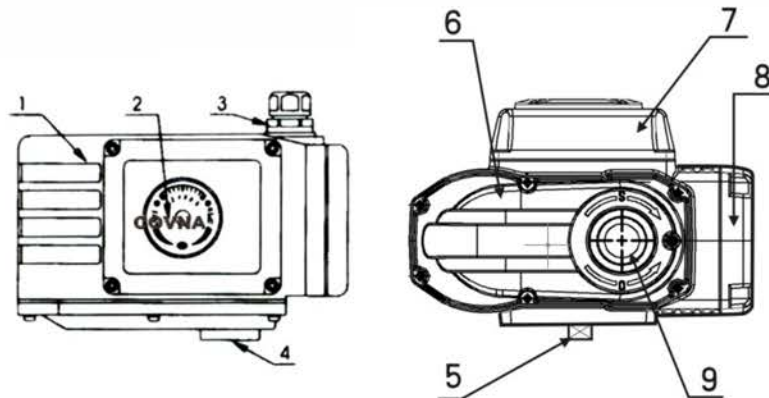
**Function:** The external circuit make positive and negative conversion of DC power to open or close, and the actuator outputs a set signal of passive position (full opening, full closing)

**Notes:**

Please kindly note if the switch position is correct when the three phase electric actuator is being adjusted, if it's opposite direction, then make 2 of power lines exchange each other

**Caution:**

Can't connect one actuator parallel with other ones, in other words, can't use the same controller contact points to control two and above actuators, otherwise it will cost out of control, motor overheating, product damage and shorter service life.



| Construction |                    |   |                |   |                 |
|--------------|--------------------|---|----------------|---|-----------------|
| 1            | Shell              | 4 | Rubber Cap     | 7 | Electric Cover  |
| 2            | Position Indicator | 5 | Output Shaft   | 8 | Terminal Box    |
| 3            | Inlet Wire Lock    | 6 | Gear Box Cover | 9 | Manual Override |

The actuator are fully debugged before they go out, if they don't meet your demands because of the valve body, the coupling in actual installation. Please resume debugging according to following steps:

● **Assembly the actuator to the valve (refer to *Installation*)**

● **Discharge the electric cover of actuator and debug as following steps according to the actual state of valve:**

- ① Adjustment of limit position switch (refer to **Commissioning**);
- ② Adjustment of neural position switch (refer to **Commissioning**);
- ③ Adjustment of regulation type actuator (only for E style, refer to **Commissioning of regulation type actuator**);
- ④ Adjustment of mechanical limited location block (refer to **Commissioning**).

● **The manual test run**

- ① Take off the rubber cap of manual handle hole; inset the hand shank into hole and rotate it clockwise decreased valve opening.
- ② Check whether the limit switch is running or not when the valve is full closing position (sensitive switch making crack sound when it is running), then turn the adjusting screw a half turn to check if the screw could touch the mechanical limited location block.
- ③ Turn hand shank anticlockwise to increase valve opening, check the situation of limit switch and mechanical limit location block the same method, make trial turn to see whether they are all right.

● **The electric test run**

- ① Take off terminal box, wiring correctly according to wiring diagram
- ② Separately turn on the power on clockwise and anticlockwise and see whether the actuator and the valve are working correctly. (The direction of shut point (clockwise) show close, the direction of open point (anticlockwise) show open.

**1. Installation environment**

- The product can be installed indoor and outdoor.
- product is non-explosion-proof production, and the installation must be avoided being in flammable or explosive environment etc.
- The actuator should be in protection box in the environment of long-term with the splash of rain, material and direct sunlight.
- Please reserve space for controller, manual operation.

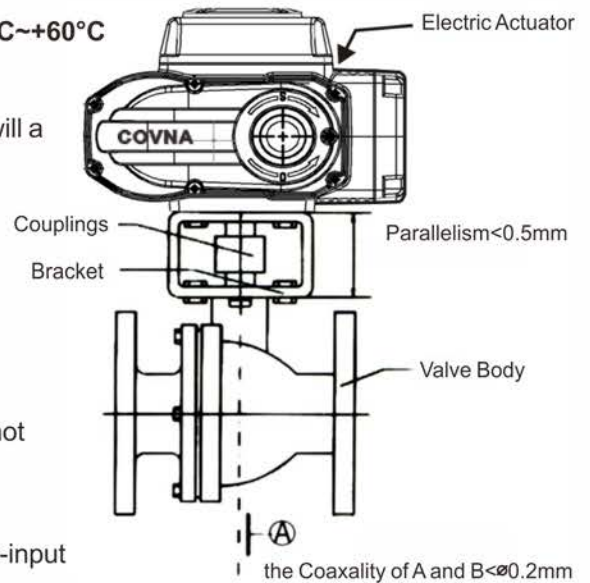
★ The surrounding environment temperature should be in -30°C~+60°C

**2. Temperature of working medium**

- When matching with the valve, the actuator body's temperature will a bit rise if medium temperature happen heat transfer.
- If the temperature of medium is high, the bracket has the function of reducing heat conduction.
- Please select the standard bracket if temperature of working medium below 60°C.
- Please select the standard bracket when temperature of working medium above 60°C.

**3. Installed on the valve body (Figure 3)**

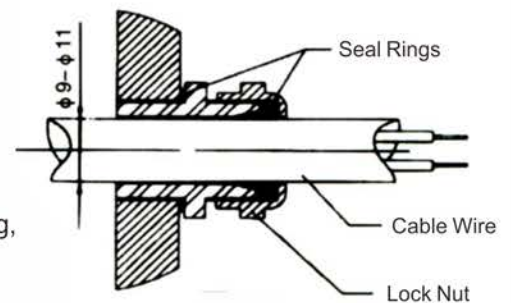
- Manually operate the actuator to drive the valve, confirm it does not have abnormal situation. Turn the valve in full closed position.
- Assemble the bracket to the valve body.
- Set one end of couplings on valve spindle.
- Turn the electric actuator to full closing position, and insert output-input shaft into the square holes of couplings.
- Set the screw between the electric actuator and bracket.
- Turn actuator by hand shank, confirm that it moves translation, no eccentric, no skew and no overrun.



**Figure 3**

**4. Cable installation**

- Install wire tubes as shown in Figure 4.
- The outside diameter of wire tubes should be  $\phi 9\text{-}\phi 11$ .
- Take measures to proof water.
- To prevent actuator from flowing into wire tubes water, the actuation position should higher than wire tubes position.
- When installing wire, the outside diameter of wire should be  $\phi 9\text{-}\phi 11$ .
- As figure 5, in case the water flow into actuator interior from line locking, all wire that are not allowed to be used.
- The signal wire should be shielded wire in principle, don't parallel it to power wire.



**Figure 4**

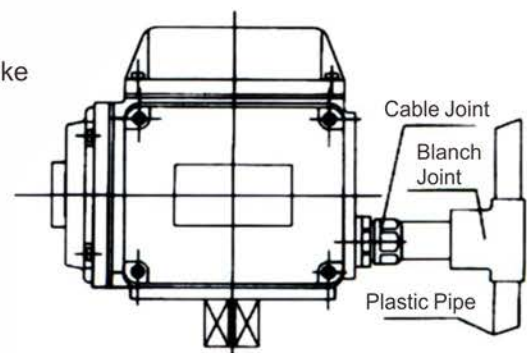
**5. Special tips**

- Caution: can't connect one actuator parallel with one another, in other words, can't use the same controller contact point to control more than one actuator, otherwise it will cause out of control, motor overheating, product damage, shorter service life.
- If the actuator is installed outdoor, we suggest equipping other protective cover to proof water, stabilize mechanical property, make a longer service life.

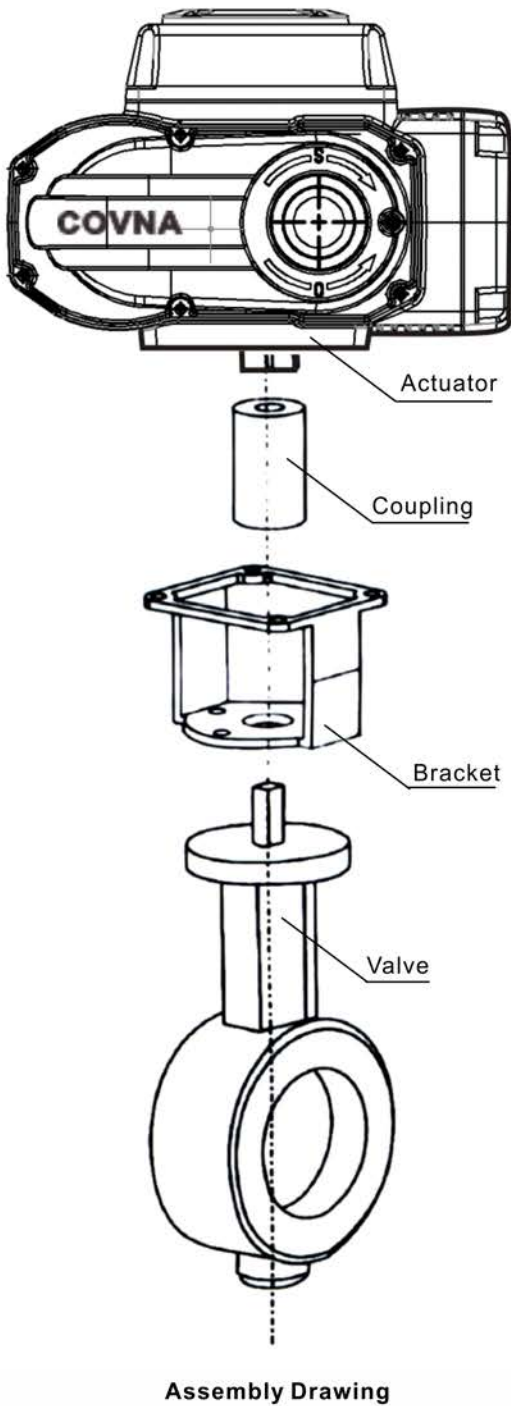
**6. Power voltage: 220VAC 50Hz/60Hz**

**7. Guard line options for witch of cutting-off winding**

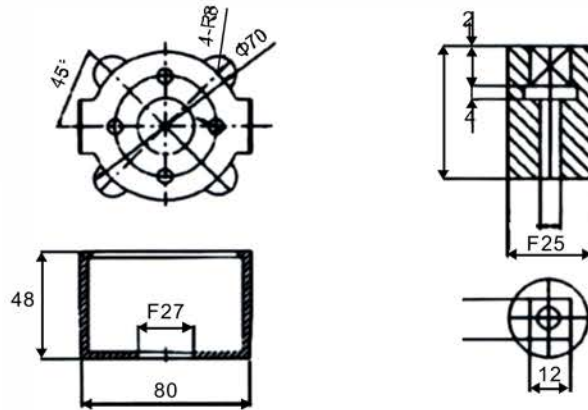
| Item        | Guard Line | Motor Power W/F |
|-------------|------------|-----------------|
| 05          | 3A         | 10              |
| 10/16       | 5A         | 25, 30          |
| 30/60       | 7A         | 40, 90          |
| 125/250/400 | 10A        | 100, 120, 140   |



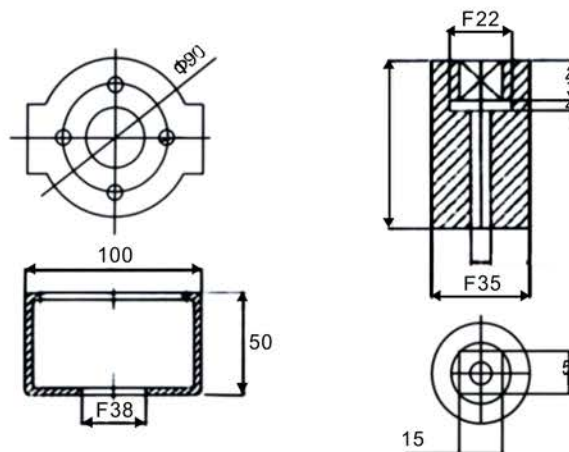
**Figure 5**



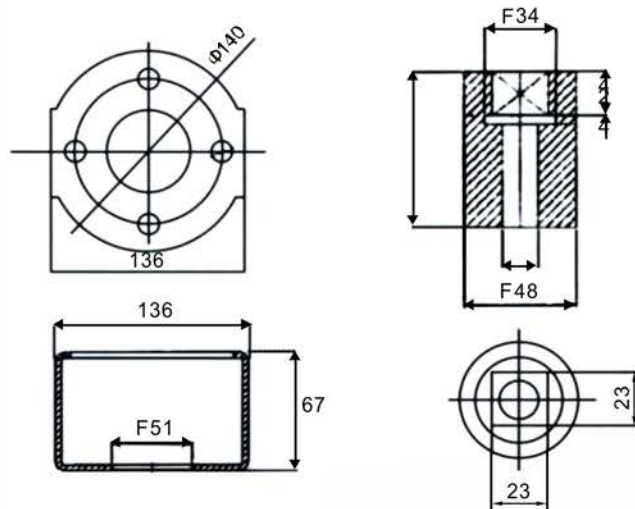
● Z type bracket and couplings (match with 05)



● S type bracket and couplings (match with 10/16)

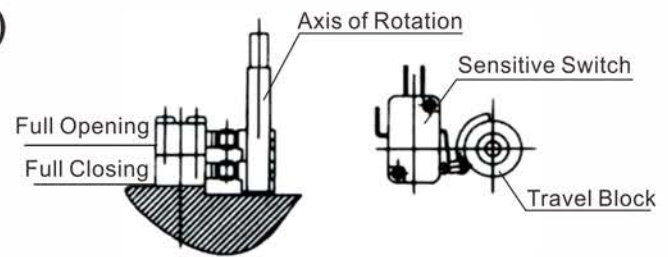


● M type bracket and couplings (match with 10/16)



**1. Adjustment of limit position switch (Figure 6)**

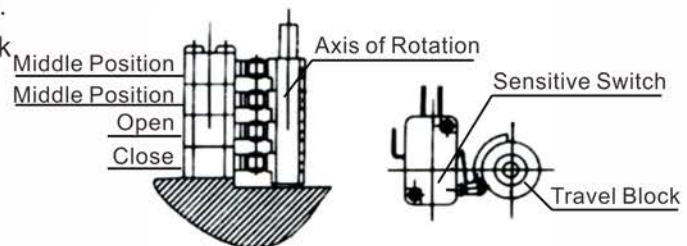
- Turn the valve to full opening position by hand.
- Loosen the screw of travel block and turn the block to drive the travel switch, then fine-tuning sensitive switch until hearing "click", after that, set screw.
- The way of adjustment full opening position is the same as above.



(Figure 6)

**2. Adjustment of middle position switch (Figure 7)**

- Use hand shank to drive the valve to the position it need.
- Loosen the screw of travel block and turn the travel block to drive sensitive switch, then set screw.
- These two neutral position switches' position could be adjusted according to need.



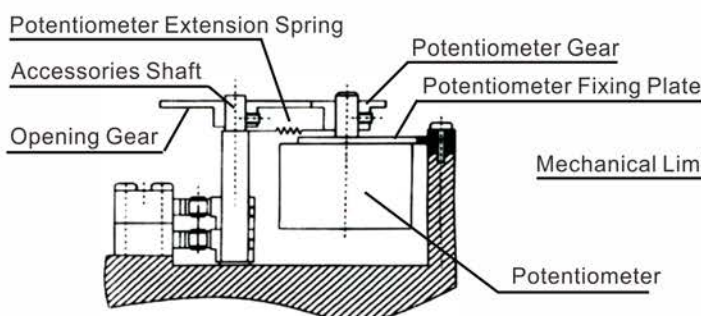
(Figure 7)

**3. Adjustment of potentiometer (Figure 8)**

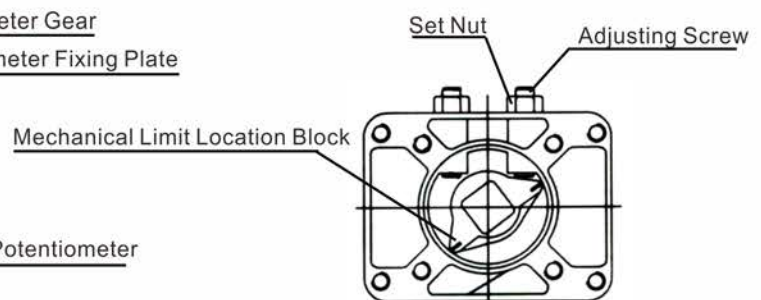
- Use hand shank to drive actuator to neutral position, and turn the pointer point to 50% scale line.
- Use multimeter to test resistance of first and third port of potentiometer (resistance between the first port and third port in potentiometer), and mark R (potentiometer default is  $1K\Omega \pm 15\%$  if no special request).
- Separate potentiometer gear from the opening gear by suitable external force on potentiometer fixing plate.
- Put one probe of multimeter to one potentiometer terminal, the other probe to another terminal, then rotate potentiometer gear and see number in multimeter. When the resistance value is equivalent to  $R/2 \pm 2\Omega$ , stop rotating, after that, mesh these two gears.

**4. Adjustment of mechanical limit location block (Figure 9)**

- Use hand shank to drive valve to full opening position and operate the switch (sensitive switch makes crack sound when it is running).
- Loosen the nut and turn the adjusting screw to touch the mechanical limit location block, then turn the adjusting screw a half turn back, set nut.
- Adjusting the full opening position by the same way as above.



(Figure 8)



(Figure 9)

### 1. Function of electrical limit and mechanical limit

① Electrical stroke limit function:

When the actuator reaches at fully opened/fully closed or the middle position, the built-in electrical limit switch will cut off the circuit to protect the actuator.

② Mechanical limit function of output shaft:

When electrical stroke limit function fails, output shaft will be locked by mechanical limit to protect the valve from damage.

Figure 10 shows the position relationship between electrical limit and mechanical limit.

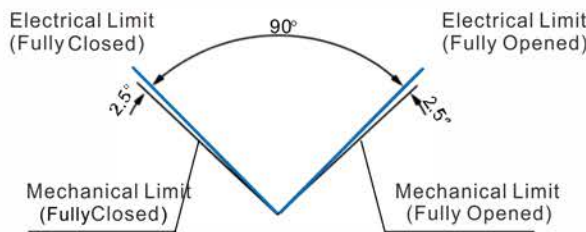
### 2. Adjustment of actuator (Figure 10)

- ① Adjust the over-travel limit stopper to zero position and full position, and ensure electrical limit position angle is 90°.
- ② Adjust mechanical position limitation base on electrical limit position angle.

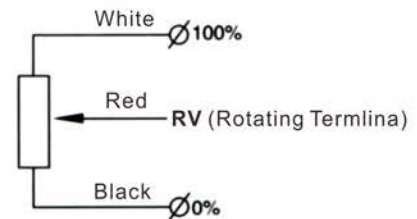
### 3. Connection of actuator with servo control module

● Potentiometer installation and connection (Figure 11)

- ① Finish potentiometer installation and connection according to "Commission" in previous chapter.
- ② Use multimeter to check resistance of potentiometer in middle opening position, and ensure it has homogeneous continuous variable from 0-100% opening.

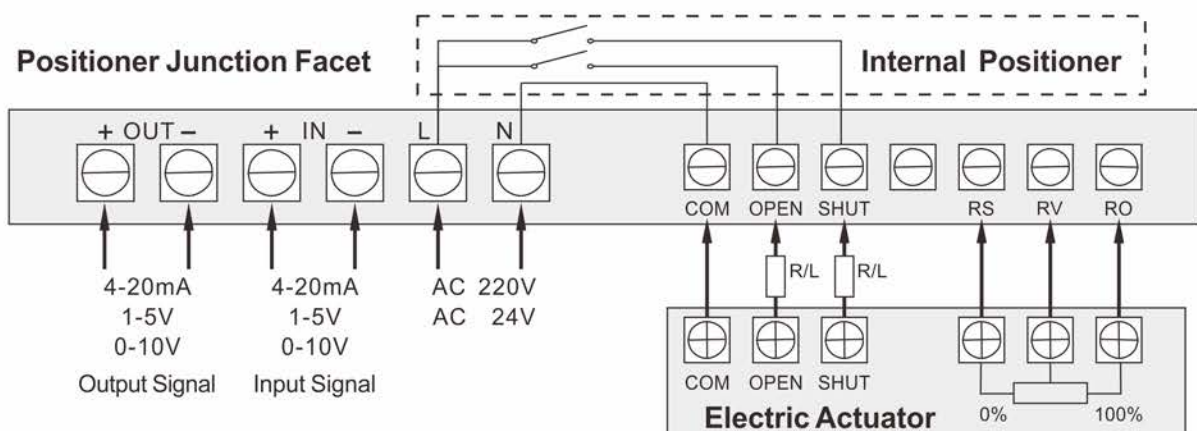


(Figure 10)



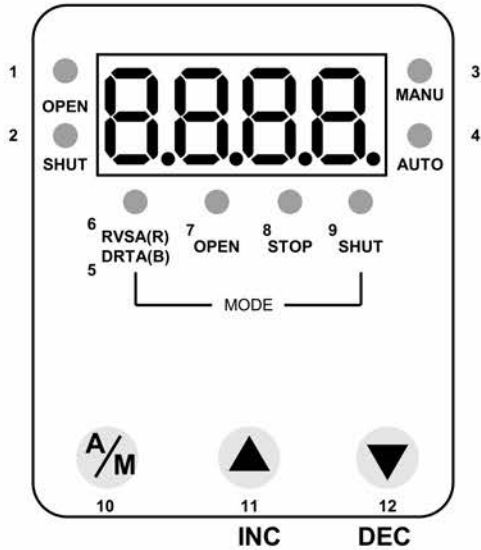
(Figure 11)

● Electrical wiring of the servo control module (Figure 12)



(Figure 12)

**Module Operating Interface**



|                   |    |      |  |
|-------------------|----|------|--|
| Status indication | 1  | OPEN | Output control "open"  |
|                   | 2  | SHUT | Output control "shut"  |
|                   | 3  | MANU | Manual control status  |
|                   | 4  | AUTO | Auto control status  |
| Mode indication   | 5  | DRTA | Operating by clockwise, the input signal is corresponding to 4mA-full position (usually we calibrate it to be full opening), 20mA-zero position (usually we set it to be full closing)     |
|                   | 6  | RVSA | Operating by anticlockwise, the input signal is corresponding to 4mA-full position (usually we set it to be full opening), 20mA-zero position (usually we calibrate it to be full closing) |
|                   | 7  | OPEN | Input opening signal to make the actuator open to maximum opening degree   |
|                   | 8  | STOP | Input stopping signal to make the actuator stop running  |
|                   | 9  | SHUT | Input shutting signal to make the actuator shut to minimum closing degree  |
| Button            | 10 | A/M  | Automatic or manual mode toggle key, parameter change and toggle key   |
|                   | 11 | ▲    | Values increase button, it use for switching display to original set degree of opening, when it's in automatic mode, opening action when it's maual mode                                   |
|                   | 12 | ▼    | Values decrease button, it's use for switching display to the temperature of valve positioner shell when it's in automatic mode  |

**4. Zero Calibration**

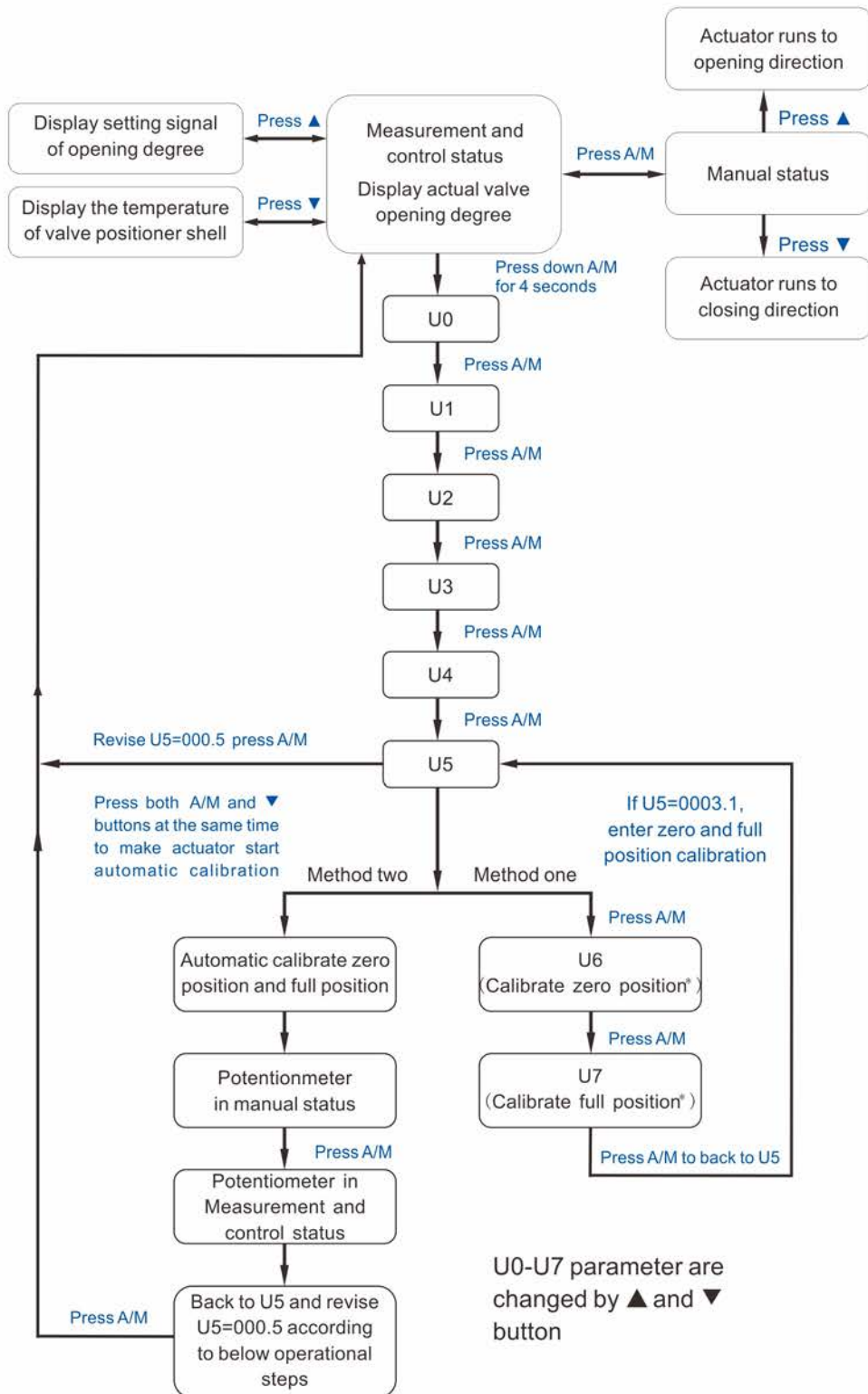
After wiring between valve positioner and actuator like Figure 12, the rotation angle has to be calibrated in the first match between positioner and actuator, after that the positioner could work correctly, the demarcation has no effect on input and output of valve positioner.

Method one: simple automatic calibration (this method request the actuator has electric limit position stopper and mechanical limit position stopper). In the automatic mode, press both A/M and buttons at the same time, then release these two buttons at the same time, the actuator will start automatic calibration and confirm the zero position (full closing) first. The valve runs to the small angle direction and reaches at minimal opening position which is judged as zero position (valve position 0.0). After that the actuator runs to maximum opening direction and reaches at maximum opening position which is judged as full position (valve position 100.0). After judgment, the actuator returns to automatic calibration and saves results by itself.

Method two: calibrate your need (this method request button idle time less than 8 seconds in the progress of calibration). In the automatic mode, press A/M button into u0 parameter, pass u1, u2, u3, u4 and into u5, revise u5=003.1, finally press A/M button.

- ① Enter u6, press ▲ or ▼ button to make actuator to run to "open" or "shut" direction, meanwhile, the screen shows the situation of actual valve opening degree is increasing or decreasing. If the opening arrival at Zero position that it's your expected position (you can see it if actuator is already assembled valve body, and the valve is set in full closing position in general), press A/M button to confirm it, enter u7 parameter.
- ② In u7 parameter, press ▲ or ▼ to run to your expected full position in the same way, and press A/M to confirm full position (you can see it If actuator is already assembled valve body, and the valve is set in full opening position in general), then back to u5.
- ③ Revise u-00.5 and back to measurement and control status.





**NOTE:** Each parameters of regulation type actuator have already been calibrated before leaving factory. Do not alter it unless it must. If really do, please read it carefully before commissioning.

## 5. Error message and solution

| Error Code | Meaning   |
|------------|---|
| E-01       | For example, the signal of zero position is calibrate to be 4mA, but the given current $\leq 3.0\text{mA}$ . The actuator will start signal interrupt handler and show E-01 in screen |
| E-03       | ① Signal feedback lines of valve positioner and actuator are inversely connected<br>② Switch lines are inversely connect  |
| E-05       | The actuator has large oscillation because of input signal or feedback signal unstable, too high precision, etc   |
| E-06       | The actuator isn't able to open direction   |
| E-07       | The actuator isn't able to run to shut direction  |
| E-08       | The Internal temperature of positioner is higher than 80°C  |

## Maintenance

- ① No extra oil required because the molybdenum grease we put are with long service life and high with-stand voltage.
- ② Please take periodical inspection to the actuator if you don't use it frequently.

## Troubleshooting

| Fault phenomenon                                | Possible reason  | Solution  |
|---|--|---|
| Motor does not start                            | Lacking of power supply  | Connect the actuator to power supply  |
|   | Electric wire broken, wiring terminals loose                                       | Repair the wire, tighten wiring terminals   |
|   | Supply voltage is wrong or below level   | Check the voltage is correct or wrong   |
|   | Overheat protector activated (ambient temperature is too high, the valve is stuck) | Reduce ambient temperature, manually open/close the valve to see if it is working |
|   | Limit switch disfunction   | Replace the limit switch  |
|   | Capacitance doesn't start or running   | Replace the capacitance   |
| Opening & closing Indicator light doesn't light | Indicator light is broken  | Replace the indicator light   |
|   | Limit switch disfunction   | Replace the limit switch  |
|   | Adjusting of block disfunction   | Readjustment  |
| Opening degree chang-ing constantly             | Signal source has interference signal  | Check input signal  |
|   | Voltage divider generated interference   | Replace the potentiometer   |
|   | Voltage divider gear or opening gear loose   | Tightening up the screws of gear  |

## SOLENOID VALVE



## ELECTRIC VALVE



## PNEUMATIC VALVE



# SPECIALIZED FLUID CONTROL VALVE MANUFACTURER

COVNA Headquarter:

Building C, Longchang Micro-Chuangyuan, No. 26 Hantang  
Street, Dongcheng District, Dongguan City, China, 523000

E-mail: [Bond@covna-china.com](mailto:Bond@covna-china.com)

Tel: 86-769-22456666 22763199

Fax: 86-769-22825120

[www.covna-china.com](http://www.covna-china.com)

[www.covna-valve.com](http://www.covna-valve.com)



FOLLOW US